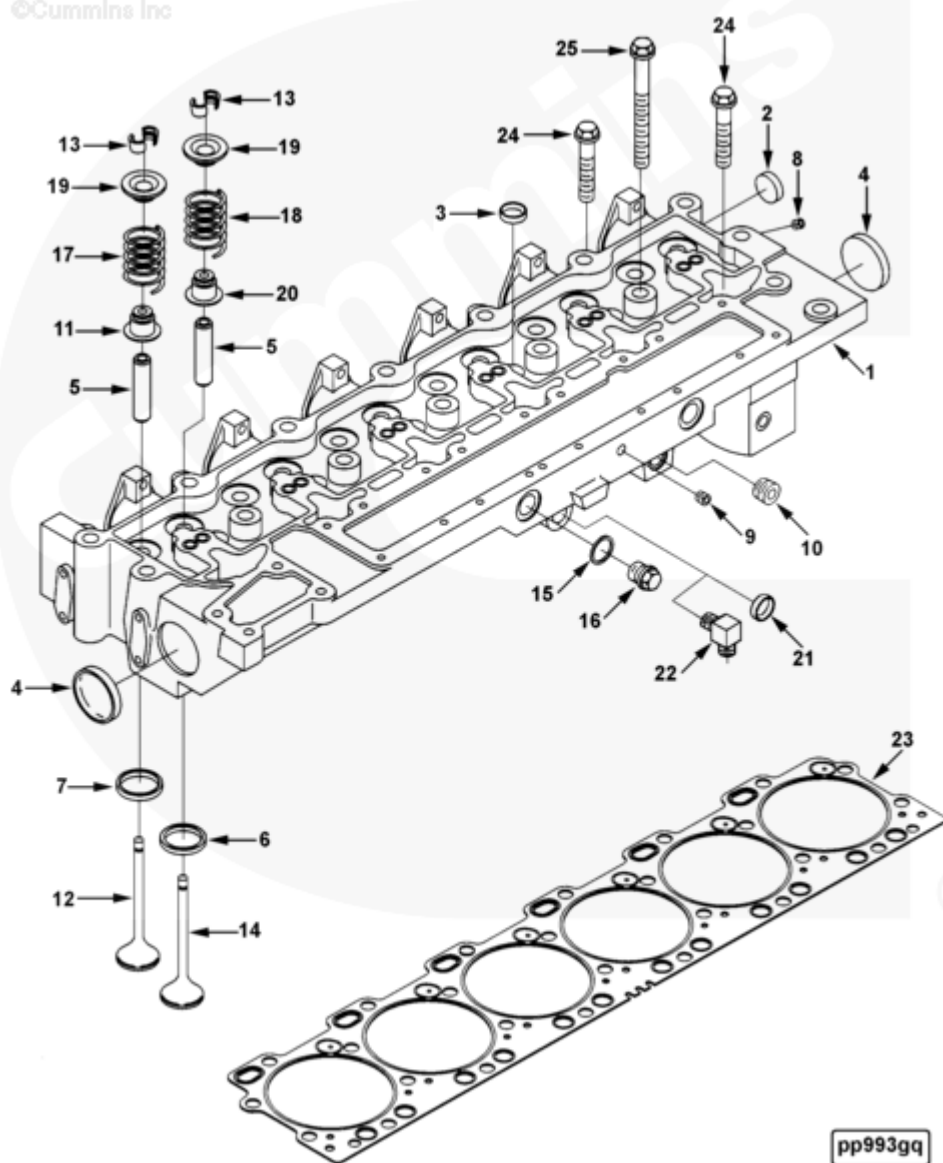




# Parts Catalog - Option Detail

Electronic Parts Catalog - Option Detail				
Option	Group	Graphic	Film Card	Date
PP9833-02	02.01	pp993gq	Z	05-FEB-97
<b>Engines</b>	6C8.3, C GAS PLUS CM556, G8.3, G8.3 CM558, GTA8.3 CM558, ISC CM2150, ISC CM554, ISC CM850, ISC8.3 CM2250, ISC8.3 G CM2180 C101, ISL CM2150, ISL CM554, ISL CM850, ISL G CM2180, ISL8.9 CM2150 L110, ISL8.9 CM2880 L112, ISL9 CM2150 SN, ISL9 CM2250, ISL9 CM2350 L101, ISL9 CM2350 L111, ISLE4 CM850, L GAS PLUS CM556, L8.9, L8.9 L121, L8.9G CMOH2.0 L125B, L9 CM2350 L116B, L9 CM2350 L119B, L9 CM2350 L120C, L9 CM2350 L123B, L9.3 L105, L9.5 L117, L9N CM2380 L124B, QSC8.3 CM2250, QSC8.3 CM2880 C102, QSC8.3 CM554, QSC8.3 CM850(CM2850), QSL9 CM2250, QSL9 CM2250 L115, QSL9 CM2350 L102, QSL9 CM2350 L107, QSL9 CM2350 L118, QSL9 CM2350 L122, QSL9 CM554, QSL9 CM850(CM2850), QSL9 G CM558, QSL9 M CM2250 L106, QSL9.3 CM2880 L113			



pp993gq

Cart	Ref No	Part Number	Part Description	Required	Remarks
<input type="button" value="View My Cart"/>					
		<a href="#">PP9833-02</a>	Cylinder Head		<a href="#">MR - HEAD, CYLINDER...(More)</a>
					Engine Family: C Series
					Engine Design Phase: Current
					Product
					Cylinder: 6
					Swirl: Low
					MFLD Pressure to Lift EXH
					Valve (PSI): 60
					Air Compressor Inlet
					Coupling: With
					Notched Head: No
					Cylinder Head Material: Cast
					Iron
					Cylinder Head Valve Material:
					Premium
					Exhaust Manifold Type: Dry
					Exhaust Valve Seal: Improved
					seal
					Valve Seat Inserts: No
					Valve Bridge Scalloping: No
					Compression Brake Mounting
					Hardware: No
					Aspiration: Charge Air
					- Charge Air Cooled;
					- Jacket Water Aftercooled
<input type="checkbox"/>		<a href="#">3802259</a>	Cylinder Head	1	
<input type="checkbox"/>	1	<a href="#">3916464</a>	Cylinder Head	1	

<input type="checkbox"/>	2	156075	Expansion Plug	1	1 3/16 in.
<input type="checkbox"/>	3	3032693	Expansion Plug	5	1.198 in.
<input type="checkbox"/>	4	3900965	Expansion Plug	2	58.06 mm
<input type="checkbox"/>	5	3923564	Valve Stem Guide	12	
<input type="checkbox"/>	6	3904716	Valve Insert	6	Exhaust
	7	3908830	Valve Insert	6	Standard
<input type="checkbox"/>	8	3008464	Pipe Plug	1	1/16 NPT
<input type="checkbox"/>	9	3008466	Pipe Plug	1	1/4 NPT.
<input type="checkbox"/>	10	3008468	Pipe Plug	1	1/2 NPT.
<input type="checkbox"/>	11	3915707	Valve Stem Seal	6	
<input type="checkbox"/>		3802275	Intake Valve Kit	6	
<input type="checkbox"/>	12	3915506	Intake Valve	6	
<input type="checkbox"/>	13	3901177	Valve Collet	12	
<input type="checkbox"/>		3802085	Exhaust Valve	6	
<input type="checkbox"/>	14	3902254	Exhaust Valve	6	
<input type="checkbox"/>	13	3901177	Valve Collet	12	
<input type="checkbox"/>	15	3902425	Sealing Washer	2	M22
<input type="checkbox"/>	16	3904386	Threaded Plug	2	M22 x 1.50 x14
<input type="checkbox"/>	17	3906412	Valve Spring	6	Standard
<input type="checkbox"/>	18	3916588	Valve Spring	6	Exhaust
	19	3912976	Valve Spring Retainer	12	
<input type="checkbox"/>	20	3919038	Valve Stem Seal	6	
<input type="checkbox"/>	21	3912900	Expansion Plug	1	
<input type="checkbox"/>	22	3912625	Elbow Hose Coupling	1	Replaces 3912900 plug when
					air compressor is used.
<input type="checkbox"/>	23	3928168	Cylinder Head Gasket	1	
<input type="checkbox"/>	24	3917729	Fracture Resistant Screw	12	M14 X 2.00 X 80.
<input type="checkbox"/>	25	3917728	Hexagon Flange Head Cap Screw	14	M14 x 2.00 x 160

Need Assistance? Please click on the Contact Us button in the top right corner of any page.